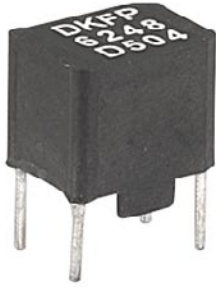


Magnetically Compensated Choke, compact

**Description**

- Current compensated choke
- THT-terminals
- Inductor vertically positioned in housing

Standards

- EN 60938

Applications

- Attenuation of common mode interferences
- Designed for 230/400 VAC applications
- Chopper amplifiers
- DC drives and stepper motor controls
- Switching power supplies

References

[General Product Information](#)

Weblinks

[Approvals](#), [RoHS](#), [CHINA-RoHS](#), [e-Store](#), [SCHURTER-Stock-Check](#), [Distributor-Stock-Check](#)

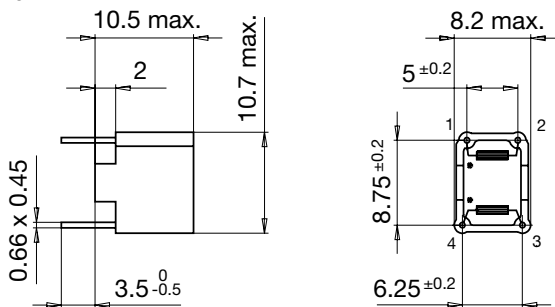
Technical Data

Rated Voltage	up to 250 VAC
Rated Current	0.5 - 2 A @ Ta 40 °C
Rated inductance	0.5 - 4.0 mH, Tol. -30% +50%
Power Operating Frequency	50 - 400 Hz
Terminal technic	THT
Weight	1 g
Material: Housing	UL 94V-0
Sealing Compound	UL 94V-0

Test Voltage	1.5kV, 50Hz, 1 min, winding to winding
Isolation Voltage	2kV eff., winding to ambient
Climatic Category	25/100/21 acc. to IEC 60068-1
Allowable Operation Temp.	-25 °C to 100 °C

Dimensions

Case 48-2

**Variants**

[Distributor-Stock-Check](#) | [SCHURTER-Stock-Check](#) | [e-Store](#)

I_n [A]	L_n [mH]	R_{cu} [mΩ]	P_{loss} [W]	f_{RES} [MHz]	Weight [g]	Case	Packing unit [pcs.]	Order Number
0.5	4	500	0.25	1.2	1	48-2	176	DKFP-6248-D504
0.9	2	240	0.39	1.6	1	48-2	176	DKFP-6248-0102
2	0.5	50	0.4	4.5	1	48-2	176	DKFP-6248-02D5